

## Flush-type connector - SACC-CI-M12FSD-4CON-L90 SCO - 1432457

Please be informed that the data shown in this PDF Document is generated from our Online Catalog. Please find the complete data in the user's documentation. Our General Terms of Use for Downloads are valid (<http://phoenixcontact.com/download>)




Sensor/actuator flush-type connector, socket, 4-pos., D-coded, shielded, with angled solder connection, only contact insert

### Your advantages

- ✓ Reduced mounting costs thanks to two-piece device connector
- ✓ All common pin assignments and codings available
- ✓ Easy device integration thanks to mechanical port screw connections with threaded attachment, press-in contour or direct integration in the front plate
- ✓ Additional gasket for the device when not plugged in



### Key Commercial Data

|                                      |   |
|--------------------------------------|---|
| Packing unit                         | 1 pc  |
| Minimum order quantity               | 20 pc   |
| GTIN                                 | <br>4 046356 410748 |
| GTIN                                 | 4046356410748   |
| Weight per Piece (excluding packing) | 5.000 g   |
| Custom tariff number                 | 85366990  |
| Country of origin                    | Germany   |

### Technical data

#### Ambient conditions

|                                 |  |
|---------------------------------|--|
| Ambient temperature (operation) | -25 °C ... 105 °C (Plug / socket)                |
|                                 | -40 °C ... 105 °C (without mechanical actuation) |
|                                 | -25 °C ... 105 °C (Plug / socket)                |
| Degree of protection            | IP67   |

# Flush-type connector - SACC-CI-M12FSD-4CON-L90 SCO - 1432457

## Technical data

### General

|   |  |
|---|--|
| Note                                    | The electrical and mechanical data specified assume that the connector pair is correctly locked and mounted. If the connector is unlocked and if there is a danger of contamination, the connector must be sealed using a protective cap > IP54. Influences arising from litz wires, cables or PCB assembly must also be taken into consideration. |
| Rated current at 40°C                   | 4 A  |
| Rated voltage                           | 250 V  |
| Rated surge voltage                     | 2.5 kV   |
| Number of positions                     | 4  |
| Insulation resistance                   | ≥ 100 MΩ   |
| Coding                                  | D - data   |
| Standards/regulations                   | M12 connector IEC 61076-2-101  |
| Signal type/category                    | Ethernet/PROFINET CAT5, 100 Mbps   |
| Status display                          | No   |
| Overvoltage category                    | II   |
| Degree of pollution                     | 3  |
| Connection method                       | Solder pins  |
| Insertion/withdrawal cycles             | > 100  |
| Mounting type                           | PCB mounting   |
| Transmission characteristics (category) | CAT5   |

### Material

|  |            |
|--|------------|
| Flammability rating according to UL 94 | V0         |
| Contact material                       | CuZn       |
| Contact surface material               | Au         |
| Contact carrier material               | PA6T/66    |
| Sealing material                       | FKM / EPDM |

### Cable

|   |                               |
|---|-------------------------------|
| Standards/specifications                | M12 connector IEC 61076-2-101 |
| Transmission characteristics (category) | CAT5 (IEC 11801:2002)         |

### Standards and Regulations

|  |                               |
|--|-------------------------------|
| Standards/specifications               | M12 connector IEC 61076-2-101 |
| Flammability rating according to UL 94 | V0                            |

### Environmental Product Compliance

|            |  |
|------------|--|
| REACH SVHC | Lead 7439-92-1                                 |
| China RoHS | Environmentally Friendly Use Period = 50 years |

# Flush-type connector - SACC-CI-M12FSD-4CON-L90 SCO - 1432457

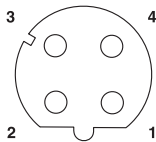
## Technical data

### Environmental Product Compliance

|  |   |
|--|---|
|  | For details about hazardous substances go to tab "Downloads", Category "Manufacturer's declaration" |
|--|---|

## Drawings

Schematic diagram



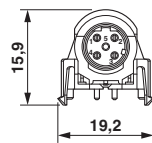
Pin assignment M12 socket, 4-pos., D-coded, female side

Dimensional drawing



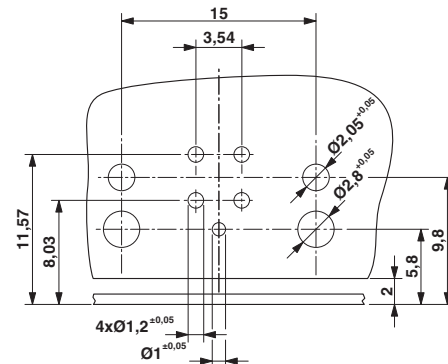
M12 flush-type connector, socket, contact carrier, front view

Dimensional drawing



Optionally with O-ring (green) for tight seal when plugged in.  
- the axial mating force of 80 N per connector may not be exceeded when using with assembled O-ring!  
- Avoid radial forces!

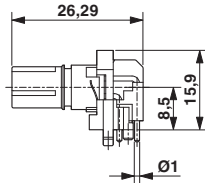
Drilling diagram



Drilling diagram only valid in connection with the SACC-M12-SCO NUT L90 housing (order no. 1432460)

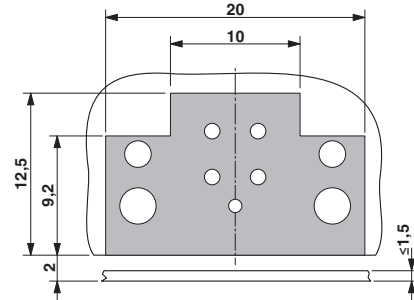
# Flush-type connector - SACC-CI-M12FSD-4CON-L90 SCO - 1432457

Dimensional drawing



M12 flush-type connector, socket, contact carrier, side view

Dimensional drawing



Locked area on the PCB

## Classifications

### eCl@ss

|               |          |
|---------------|----------|
| eCl@ss 10.0.1 | 27440102 |
| eCl@ss 11.0   | 27440102 |
| eCl@ss 4.0    | 27260700 |
| eCl@ss 4.1    | 27260700 |
| eCl@ss 5.0    | 27260700 |
| eCl@ss 5.1    | 27260700 |
| eCl@ss 6.0    | 27279200 |
| eCl@ss 7.0    | 27440103 |
| eCl@ss 9.0    | 27440102 |

### ETIM

|          |          |
|----------|----------|
| ETIM 3.0 | EC002061 |
| ETIM 4.0 | EC002061 |
| ETIM 6.0 | EC002061 |

### UNSPSC

|               |          |
|---------------|----------|
| UNSPSC 6.01   | 31251501 |
| UNSPSC 7.0901 | 31251501 |
| UNSPSC 11     | 31251501 |
| UNSPSC 12.01  | 31251501 |
| UNSPSC 13.2   | 39121413 |
| UNSPSC 18.0   | 39121413 |
| UNSPSC 19.0   | 39121413 |
| UNSPSC 20.0   | 39121413 |
| UNSPSC 21.0   | 39121413 |

# Flush-type connector - SACC-CI-M12FSD-4CON-L90 SCO - 1432457

## Approvals


### Approvals


#### Approvals

EAC / UL Recognized / UL Recognized / cUL Recognized

#### Ex Approvals

### Approval details

|     |   |         |
|-----|---|---------|
| EAC |  | B.01687 |
|-----|---|---------|

|               |  |   |               |
|---------------|--|---|---------------|
| UL Recognized |  | <a href="http://database.ul.com/cgi-bin/XYV/template/LISEXT/1FRAME/index.htm">http://database.ul.com/cgi-bin/XYV/template/LISEXT/1FRAME/index.htm</a> | FILE E 118976 |
|---------------|--|---|---------------|

|               |   |   |               |
|---------------|---|---|---------------|
| UL Recognized |  | <a href="http://database.ul.com/cgi-bin/XYV/template/LISEXT/1FRAME/index.htm">http://database.ul.com/cgi-bin/XYV/template/LISEXT/1FRAME/index.htm</a> | FILE E 118976 |
|---------------|---|---|---------------|

|                            |       |
|----------------------------|-------|
| Nominal voltage UN         | 250 V |
| Nominal current IN         | 4 A   |
| mm <sup>2</sup> /AWG/kcmil | 22    |

|                |   |   |               |
|----------------|---|---|---------------|
| cUL Recognized |  | <a href="http://database.ul.com/cgi-bin/XYV/template/LISEXT/1FRAME/index.htm">http://database.ul.com/cgi-bin/XYV/template/LISEXT/1FRAME/index.htm</a> | FILE E 118976 |
|----------------|---|---|---------------|

|                            |       |
|----------------------------|-------|
| Nominal voltage UN         | 250 V |
| Nominal current IN         | 4 A   |
| mm <sup>2</sup> /AWG/kcmil | 22    |

## Accessories

### Accessories

Panel mounting base

## Flush-type connector - SACC-CI-M12FSD-4CON-L90 SCO - 1432457

### Accessories

Housing screw connection - SACC-M12-SCO NUT - 1552243



M12 SPEEDCON housing screw connection for M12 female inserts, with O-ring, for all SPEEDCON-capable THR and wave soldering contact carriers

---

Housing screw connection - SACC-DSIV-M12-NUT - 1416144



Housing screw connection with M12 standard thread, with O-ring, for the two-piece straight M12 THR contact carrier and for the two-piece angled M12 contact carrier

---

Housing screw connection - SACC-M12-SCO NUT L 90 - 1432460



M12-SPEEDCON housing screw connection for M12 female inserts, with flat gasket, for all Speedcon-compatible THR and wave soldering contact carriers

---

Housing screw connection - SACC-BP-F-M12/M15-6-THR - 1414004



Housing screw connection, Socket, M12, Rear mounting, M15 x 1

---

Housing screw connection - SACC-BP-F-M12/M15-7-THR - 1414003



Housing screw connection, Socket, M12, Rear mounting, M15 x 1

---

## Flush-type connector - SACC-CI-M12FSD-4CON-L90 SCO - 1432457

### Accessories

Housing screw connection - SACC-BP-F-M12/M15-6-THR SCO - 1414020



Housing screw connection, Socket, M12-SPEEDCON, Rear mounting, M15 x 1

---

Housing screw connection - SACC-BP-F-M12/M15-7-THR SCO - 1414005



Housing screw connection, Socket, M12-SPEEDCON, Rear mounting, M15 x 1

---

Housing screw connection - SACC-M12 NUT PRESS - 1437889



Housing screw connection for two-piece M12 connectors for the reflow soldering process.

---

Housing screw connection - SACC-BP-F-M12-THR PP - 1027662



Housing screw connection, Socket, M12-Push-Pull, Rear mounting, M16, THR- und Wellenlötkontakte

---

Housing screw connection - SACC-FP-F-M12-THR PP - 1027678



Housing screw connection, Socket, M12-Push-Pull, Front mounting, M14 x 1, THR- und Wellenlötkontakte

---

Plug for cable screw gland

## Flush-type connector - SACC-CI-M12FSD-4CON-L90 SCO - 1432457

### Accessories

Screw plug - PROT-M12 - 1680539



An M12 screw plug for the unoccupied M12 sockets of the sensor/actuator cable, boxes and flush-type connectors

---

Screw plug - PROT-M12 SH - 1503302



An M12 screw plug for the unoccupied M12 sockets of the shielded sensor/actuator cable, boxes and flush-type connectors

---

Screw plug - PROT-M12 FB - 1555538



M12 high-grade steel screw plug, for unoccupied M12 sockets of the sensor/actuator cables, boxes and flush-type connectors for the food industry

---

---